

**NEW!**

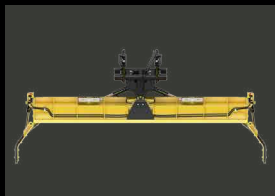
QuattroPlowHD™

4X THE PLOW JUST GOT EVEN BIGGER

The QuattroPlowHD™ is a four-in-one plow that combines the best of our AlphaPlow™, FastTach® and WolfWings™. Easily shift from angle plowing to straight plowing to high-capacity pushing to backdragging in just seconds without ever leaving your machine or even pushing a button. A fifth function, wide-angle plowing, extends your plow by 28 inches on each end. All it takes is less than a minute to reposition the wing cylinders on each side of the plow. QuattroPlowHD™ wings operate automatically using only two hoses and couplers, just like an angle plow.



The QuattroPlowHD™ is a fully floating or full down-pressure system, depending on the conditions and an operator's preferences.



165-DEGREE WING ROTATION Move wings all the way forward for pushing, to the sides for plowing, or all the way back for backdragging. Allows you to carry more snow backward for a greater distance and fewer windrows.



28-INCH EXTENSION ON EACH END IN WIDE-ANGLE POSITION Especially efficient for operators who seldom or never need backdragging containment.



35-DEGREE-ANGLE TIPS ON WINGS Provides greater carrying capacity while minimizing windrows regardless of the direction the machine is moving. Keeps the wings clear of the machine's front tires.



SMART VALVE This SnowWolf exclusive hydraulic valve controls the plow's wings without removing your hands from the controls. Angle right and hold for snowpusher position. Angle left and hold for wing plow or backdrag positions.

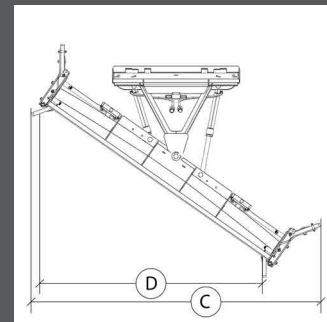
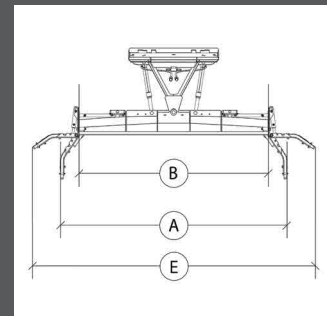
AutoWingPlow Specifications



QuattroPlowHD™

14,000 – 30,000 lbs.

Model Number	QPHD-146	QPHD-170
Blade Width (A)	146" (12'-2")	170" (14'-2")
Moldboard Width (B)	10'	12'
Overall Width at Full Angle (C)	127"	147"
Clearing Width at Full Angle (D)	100"	120"
Clearing Width at Wide Angle (E)	176"	200"
Blade Height	38"	38"
Estimated Weight (lbs.) (not ship weight)	2855	3152
Moldboard Gauge	10 Ga.	10 Ga.
Trip Springs	8 Ext.	8 Ext.
Wear Shoes	N/A	N/A
Moldboard Cutting Edge	3/4" x 8" top punch	
Angle Rams	2-1/2" x 13" Nitro Steel	
Vertical Ribs	8	10
Moldboard Radius	19"	19"
Full Down Pressure	Yes	Yes
Wheel loader Compatible mounts	CAT IT Mount, Cat Fusion Mount, JRB 416 Mount	
Crossover Relief Valve	Standard	
Side Plate Thickness	5/8" Grade 50	
Side Plate Wear Shoes	1" x 8" AR400 Steel	
Side Plate Hinge Pin	1-3/8" x 21-1/2"	
Side Plate Cylinder	2.5" x 8" to 2.5" x 8" Double Acting Chrome Plate Rod	



SnowWolf®
by WolfDesign

14311 Ewing Avenue
Burnsville, MN 55306

1 800 905.2265
T 952.224.4430
F 952.224.4444

info@snowwolfplows.com
snowwolfplows.com

facebook.com/snowwolfplows
twitter.com/snowwolfplows
instagram.com/snowwolfplows