



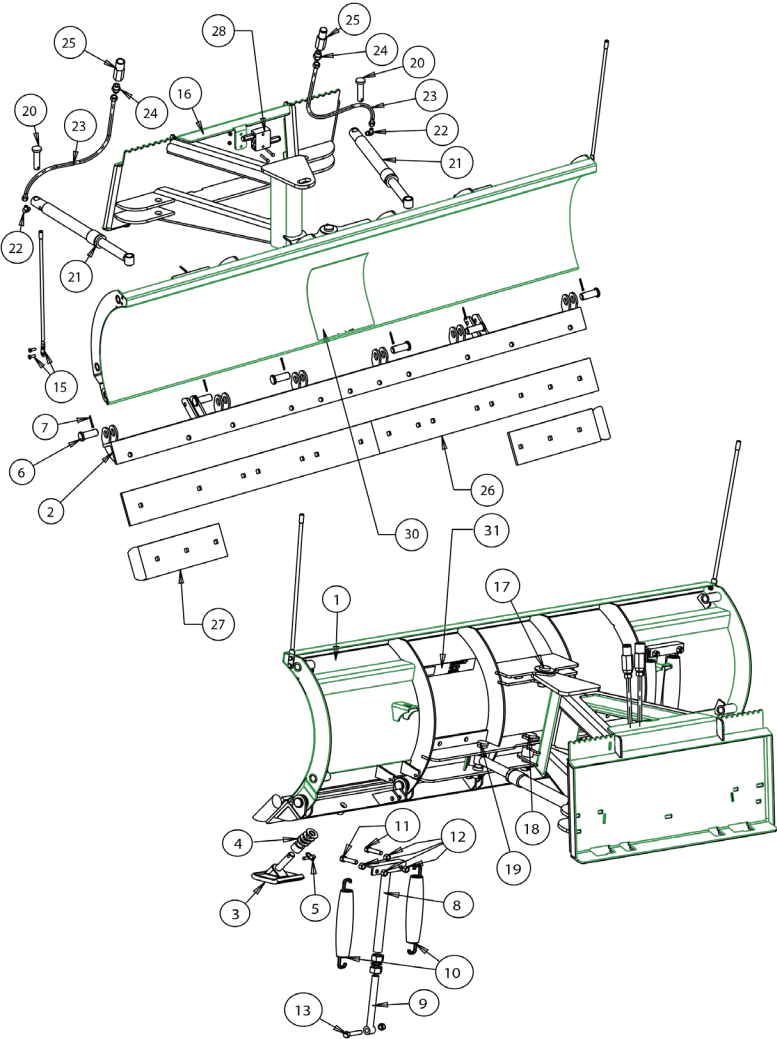
UltraPlow

Parts Identification



Parts Identification

SnowWolf UltraPlow



Parts Identification (Continued)

SnowWolf UltraPlow

Part#	Item#	Description
P20017	30	Decal, SnowWolf Blade Front
P20018	31	SnowWolf Model Number, Specify Model Number
P20019		Decal, "DANGER PINCH AREA"
P40001A-1	1	Moldboard Weldment, 6', Current Style Ultra
P40001C-1	1	Moldboard Weldment, 7', Current Style Ultra
P40001E-1	1	Moldboard Weldment, 8', Current Style Ultra
P40001G-1	1	Moldboard Weldment, 9', Current Style Ultra
P40001H-1	1	Moldboard Weldment, 10', Current Style Ultra
P40002A	2	Trip Edge Weldment, 6' - 3.36" ear
P40002A-1	2	Trip Edge Weldment, 6' - 2.86" ear
P40002A-2	2	Trip Edge Weldment, 6' - current
P40002B	2	Trip Edge Weldment, 6.5'
P40002C	2	Trip Edge Weldment, 7' - 3.36" ear
P40002C-1	2	Trip Edge Weldment, 7' - 2.86" ear
P40002C-2	2	Trip Edge Weldment, 7' - current
P40002D	2	Trip Edge Weldment, 7.5'
P40002E	2	Trip Edge Weldment, 8' - 3.36" ear
P40002E-1	2	Trip Edge Weldment, 8' - 2.86" ear
P40002E-2	2	Trip Edge Weldment, 8' - current
P40002F	2	Trip Edge Weldment, 8.5'
P40002G	2	Trip Edge Weldment, 9' - 3.36" ear
P40002G-1	2	Trip Edge Weldment, 9' - 2.86" ear
P40002G-2	2	Trip Edge Weldment, 9' - current
P40002H	2	Trip Edge Weldment, 10' - 3.36" ear
P40002H-1	2	Trip Edge Weldment, 10' - 2.86" ear
P40002H-2	2	Trip Edge Weldment, 10' - current
P40003	3	Wear Shoe Weldment
P40004	4	Spacer Kit for 40003
P40005	5	Klik Pin for 40003
P40003-S		Cast Iron Wear Shoe Set, with Spacer Kits & Klik Pins
P40006	6	Trip Edge Pin
P40007	7	Cotter Pin, 1/4 X 2
P40008A	8	Spring Bar Assembly, for discontinued Ultra-72, 78, 84, 90 with 9-1/2" spring
P40008-B	8	Spring Bar Assembly, for discontinued Ultra-72, 84, 90, 96, 102, 108, 120 with 15" spring
P40008-C	8	Spring Bar Assembly, for all current Ultra models
P40009	9	Spring Adjuster Assembly, for discontinued Ultra models
P40009-B	9	Top Spring adjuster Assembly - Current Ultra
P40010A	10	Trip Spring, 6'-7.5' Old Style Ultra (9-1/2" long)
P40010B	10	Trip Spring, 6'-10' New Style Ultra (15" long)
P40011	11	Hex Bolt, 5/8 -11 x 2
P40012	12	Hex Nut, 5/8 - 11, Grade C
P40013	13	Hex Bolt, 5/8 - 11 x 2 1/2
P50000	14	Poly Snow Deflector with Mount Kit
P50001	15	Blade Marker Guide Set
P50002	17	Upper Pivot Pin
P50003	18	Lower Pivot Pin

Parts Identification (Continued)

Part#	Item#	Description
P50004	19	Ram Anchor Pin, Blade End
P50005	20	Ram Anchor Pin, Frame End
P50006	21	Angle Cylinder, Nitro Steel, 1-1/2" Rod
P50006-B		Angle Cylinder, Nitro Steel, 2" Rod, UltraMax
P50007	22	90° Restricted Angle Fitting
P50008	23	Hose Assembly, 78" long
P50008-B		Hose Assembly, 30" long, Crossover
P50008-C		Hose Assembly, 64" long, Crossover
P50008-D		Hose Assembly, 94" long
P50009-A	24	Adapter, #8 MJIC x #12 MORB, Hose to Coupler
P50009-B		Adapter, #6 MJIC x #10 MORB, Crossover to Hose
P50009-F	25	Flow Restrictor, Old Style Ultra
P50010	25	ISO Flat Face Coupler Set
P50010F	25	ISO Flat Face Coupler, Female
P50010M	25	ISO Flat Face Coupler, Male
P50011-A	26	6' Cutting Edge Kit with hardware
P50011-B	26	6.5' Cutting Edge Kit with hardware
P50011-C	26	7' Cutting Edge Kit with hardware
P50011-D	26	7.5' Cutting Edge Kit with hardware
P50011-E	26	8' Cutting Edge Kit with hardware
P50011-F	26	8.5' Cutting Edge Kit with hardware
P50011-G	26	9' Cutting Edge Kit with hardware
P50011-H	26	10' Cutting Edge Kit with hardware
P50011-18		18" Cutting Edge, no hardware
P50011-45		45" Cutting Edge, no hardware
P50011-51		51" Cutting Edge, no hardware
P50014-18		18" Carbide Cutting Edge with Hardware
P50014-45		45" Carbide Cutting Edge with Hardware
P50014-51		51" Carbide Cutting Edge with Hardware
P50014-60		60" Carbide Cutting Edge with Hardware
P50011-A-CBD		6' Carbide Cutting Edge Kit with Hardware
P50011-C-CBD		7' Carbide Cutting Edge Kit with Hardware
P50011-E-CBD		8' Carbide Cutting Edge Kit with Hardware
P50011-G-CBD		9' Carbide Cutting Edge Kit with Hardware
P50011-H-CBD		10' Carbide Cutting Edge Kit with Hardware
P50012-A	26	6' Polymer Cutting Edge Kit with hardware
P50012-A1	26	6' Polymer Cutting Edge Kit with hardware (6.5" Tall) - Utilize when plow has Wings or FastTach
P50012-B	26	6.5' Polymer Cutting Edge Kit with hardware
P50012-B1	26	6.5' Polymer Cutting Edge Kit with hardware (6.5" Tall) - Utilize when plow has Wings or FastTach
P50012-C	26	7' Polymer Cutting Edge Kit with hardware (6.5" Tall) - Utilize when plow has Wings or FastTach
P50012-C1	26	7.5' Polymer Cutting Edge Kit with hardware
P50012-D	26	7.5' Polymer Cutting Edge Kit with hardware (6.5" Tall) - Utilize when plow has Wings or FastTach
P50012-D1	26	8' Polymer Cutting Edge Kit with hardware
P50012-E	26	8' Polymer Cutting Edge Kit with hardware (6.5" Tall) - Utilize when plow has Wings or FastTach

Parts Identification (Continued)

Part#	Item#	Description
P50012-F	19	8.5' Polymer Cutting Edge Kit with hardware
P50012-F1	20	8.5' Polymer Cutting Edge Kit with hardware (6.5" Tall) - Utilize when plow has Wings or FastTach
P50012-G	21	9' Polymer Cutting Edge Kit with hardware
P50012-G1		9' Polymer Cutting Edge Kit with hardware (6.5" Tall) - Utilize when plow has Wings or FastTach
P50012-H	22	10' Polymer Cutting Edge Kit with hardware
P50012-H1	23	10' Polymer Cutting Edge Kit with hardware (6.5" Tall) - Utilize when plow has Wings or FastTach
P50013		Curb Guard Set with hardware, 8'-10' Ultra only
P50026		Hose Clamp Kit with hardware
P60000		Attaching Frame, Universal Skid-Steer Mount
P60002	24	Crossover Relief Valve
P60002-K		Crossover Relief Valve Kit with hoses
P60005-A	25	Cylinder Seal Kit for 50006, for cylinders with hex style packing nut
P60005-B	25	Cylinder Seal Kit for 50006, for cylinders with round style packing nut
P60006-A	25	Cylinder Packing Nut for 50006, hex style
P60006-B	25	Cylinder Packing Nut for 50006, round style
P60008	26	Carriage Bolt, 5/8-11 x 2-1/2 (for Poly Cutting Edge)
P6009	26	Hex Nut, 5/8-11
P60010	26	Carriage Bolt, 5/8-11 x 2 (for Steel Cutting Edge)
P60011	26	Yellow Touch Up Paint, Aerosol Can