



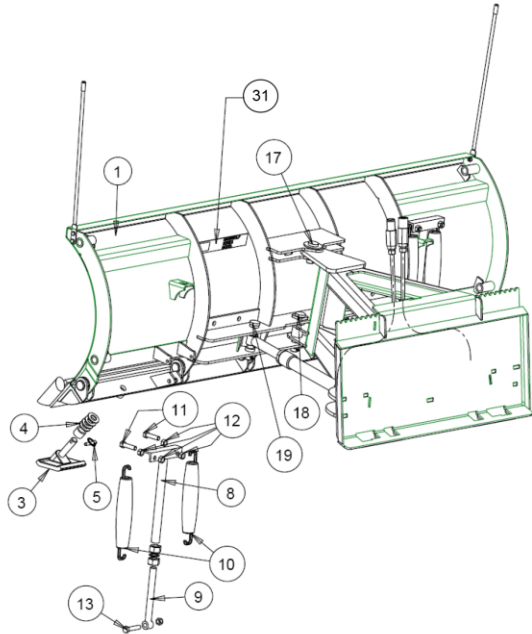
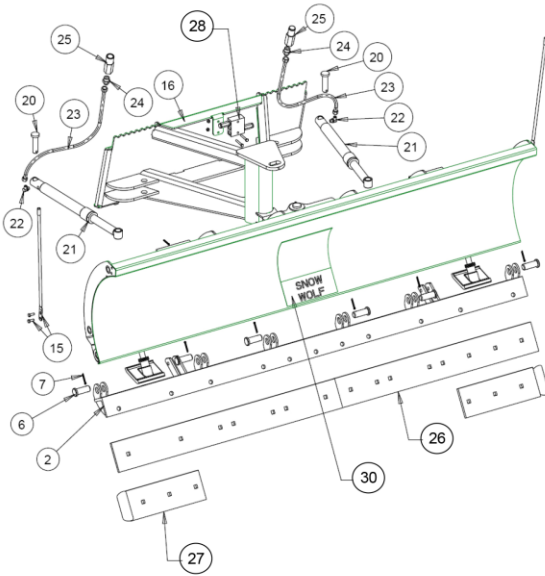
QuattroPLOW

Parts Identification



Detailed Parts Diagram

QuattroPlow Snow Blade – Parts Diagram



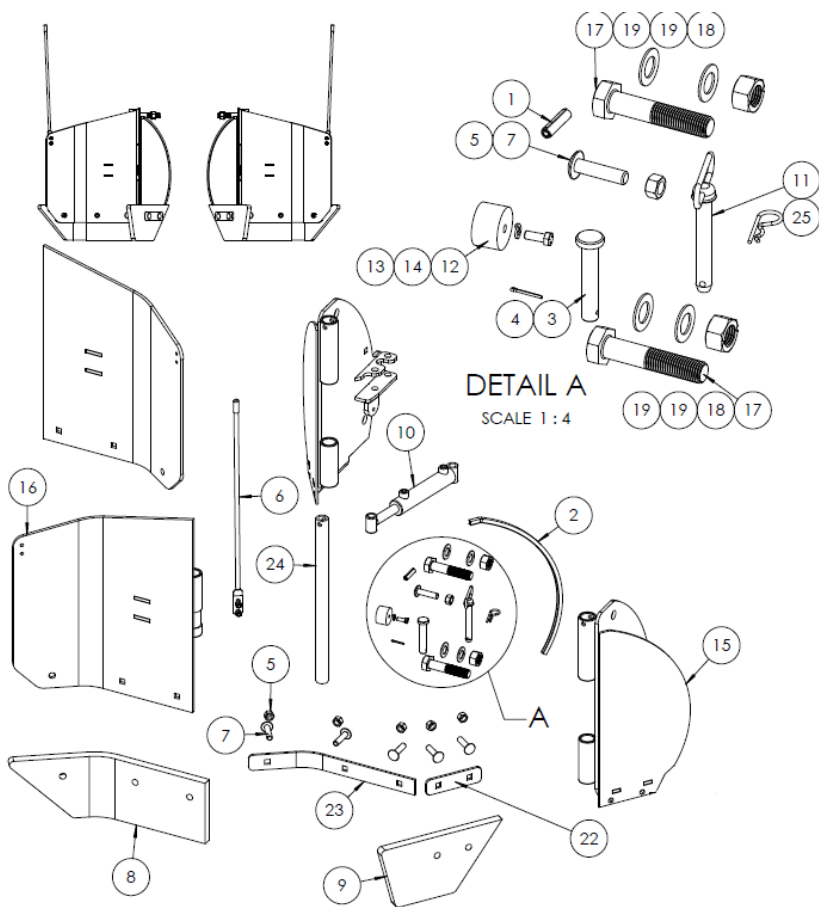
Parts Identification (Continued)

Part #	Item #	Description
P40001C-1	1	Moldboard Weldment, 7', Current Style Ultra
P40001E-1	1	Moldboard Weldment, 8', Current Style Ultra
P40001G-1	1	Moldboard Weldment, 9', Current Style Ultra
P40001H-1	1	Moldboard Weldment, 10', Current Style Ultra
P40001I-1	1	Moldboard Weldment, 11', Current Style Ultra
P40002C-2	2	<u>Trip Edge Weldment, 7' - current [click to see picture]</u>
P40002E-2	2	<u>Trip Edge Weldment, 8' - current [click to see picture]</u>
P40002G-2	2	<u>Trip Edge Weldment, 9' - current [click to see picture]</u>
P40002H-2	2	<u>Trip Edge Weldment, 10' - current [click to see picture]</u>
P40002I	2	Trip Edge Weldment, 11' - current
P40003	3	Wear Shoe Weldment
P40003-S		Cast Iron Wear Shoe Set, with Spacer Kits & Klik Pins
P40004	4	Spacer Kit for 40003
P40005	5	Klik Pin for 40003
P40006	6	Trip Edge Pin
P40007	7	Cotter Pin, 1/4 X 2
P40008-C	8	Spring Bar Assembly, for all current Ultra models
P40009-B	9	Top Spring adjuster Assembly - Current Ultra
P40010B	10	Trip Spring, 6'-10' New Style Ultra (15" long)
P40011	11	Hex Bolt, 5/8 - 11 x 2
P40012	12	Hex Nut, 5/8 - 11, Grade C
P40013	13	Hex Bolt, 5/8 - 11 x 2 ½
P50000	14	Poly Snow Deflector with Mount Kit
P50001	15	Blade Marker Guide Set
P50002	17	Upper Pivot Pin
P50003	18	Lower Pivot Pin
P50004	19	Ram Anchor Pin, Blade End
P50005	20	Ram Anchor Pin, Frame End
P50006-B	21	Angle Cylinder, Nitro Steel, 2" Rod, UltraMax
P50007	22	90° Restricted Angle Fitting

P50008-D	23	Hose Assembly, 94" long
P50009-A	24	Adapter, #8 MJIC x #12 MORB, Hose to Coupler
P50010	25	ISO Flat Face Coupler Set
P50010F	25	ISO Flat Face Coupler, Female
P50010M	25	ISO Flat Face Coupler, Male
P50011-C	26	7' Cutting Edge Kit with hardware
P50011-E	26	8' Cutting Edge Kit with hardware
P50011-G	26	9' Cutting Edge Kit with hardware
P50011-H	26	10' Cutting Edge Kit with hardware
P50011-I	26	11' Cutting Edge Kit with hardware
P50011-18		18" Cutting Edge, no hardware
P50011-45		45" Cutting Edge, no hardware
P50011-51		51" Cutting Edge, no hardware
P50013		Curb Guard Set with hardware, 8'-10' Ultra only
P50026		Hose Clamp Kit with hardware
P60000		Attaching Frame, Universal Skid-Steer Mount
P60009	26	Hex Nut, 5/8-11
P60010	26	Carriage Bolt, 5/8-11 x 2 (for Steel Cutting Edge)
P60011		Yellow Touch Up Paint, Aerosol Can

Detailed Parts Diagram

QuattroPlow Wings – Parts Diagram



Parts Identification (Continued)

Part #	Item#	Description
P20029	3	Wing Cylinder Pin, front
P20030	4	Wing Cylinder Cotter Pin, ¼" x 2"
P38136		Straight Adapter, Wing Cylinder MORB to MJIC, Restricted - BLACK
P40007	4	Cotter Pin, 5/32 x 1¼
P40012	5	Lock Nut, 5/8 - 11, Grade C
P40012	5	Wing Hex Nut, Grade C, 5/8"
P50001	6	Blade Marker Guide Set
P60063	17	Wing Bolt, 1" x 5"
P60064	18	Wing Hex Nut, Grade 8, 1"
P60050		Urethane Cutting Edge Kit with hardware, includes 2 left and 2 right, front and rear
P60051	8	Urethane Cutting Edge, left or right front
P60052	9	Urethane Cutting Edge, left or right rear
P60055	10	Wing Cylinder, double acting, left or right
P60056		Wing Cylinder D-Handle Pin, rear
P60057	11	Wing Cylinder Pin Lynch Pin, rear
P60058	12	Wing Bump Stop, left or right
P60059	13	Bolt, 3/8-16 x 1" Wing Bump Stop, left or right
P60060	14	Lock Washer, 3/8" for Wing Bump Stop Bolt
P60061	15	Replacement Wing Weldment, Right Rear (Steel component only)
P60062	16	Replacement Wing Weldment, Left (Steel components only)
P60064	18	1.0 – 8 Distorted-Thread Nut
P60065	19	Flat Washer, 1" USS
P60068		AutoWing Manifold Assembly
P60069		Straight Adapter, Wing Cylinder MORB to MJIC, Wing Hoses
P60070		45 deg. Adapter, Manifold MORB to MJIC, Wing Hoses

P60071		Manifold Shroud
P60072		Hose Assembly, 52" long, Manifold to Wing, for QP-102
P60074		Hose Assembly, 58" long, Manifold to Wing, for QP-114
P60076		Hose Assembly, 64" long, Manifold to Wing, for QP-126
P60078		Hose Assembly, 70" long, Manifold to Wing, for QP-138
P60080		Hose Assembly, 76" long, Manifold to Wing, for QP-150
P60082		Hose Assembly, 35" long, Cylinder to Manifold
P60083		Hose Clamp, Cylinder to Manifold
P60084		Spring Hose Holder
P60084-K		Spring Hose Holder Kit with Clamp & Hardware
P60085		90 deg. Adapter, Manifold MORB to MJIC, Cylinder Hoses
P60086		Manifold Shroud Bolt, Front
P60087		Manifold Shroud Bolt, Rear
P60088		Manifold Shroud Flat Washer
P60089		Manifold Shroud Bolt Spacer
P60090		5/16" Nylock Hex Nut
P60091		Manifold/Hose Clamp Bolt, 5/16 x 2.25
P60092		5/16" SAE Flat Washer
P60093		PowerWing Manifold Assembly
P60097	20	Replacement Wing Weldment, Left Rear (Steel component only)
P60098	21	Replacement Wing Weldment, Left Front (Steel component only)
P60100	22	Cutting Edge Hold-Down Strip, left or right rear
P60101	23	Cutting Edge Hold-Down Strip, left or right front
P60102	24	Hinge Pin Weldment

