

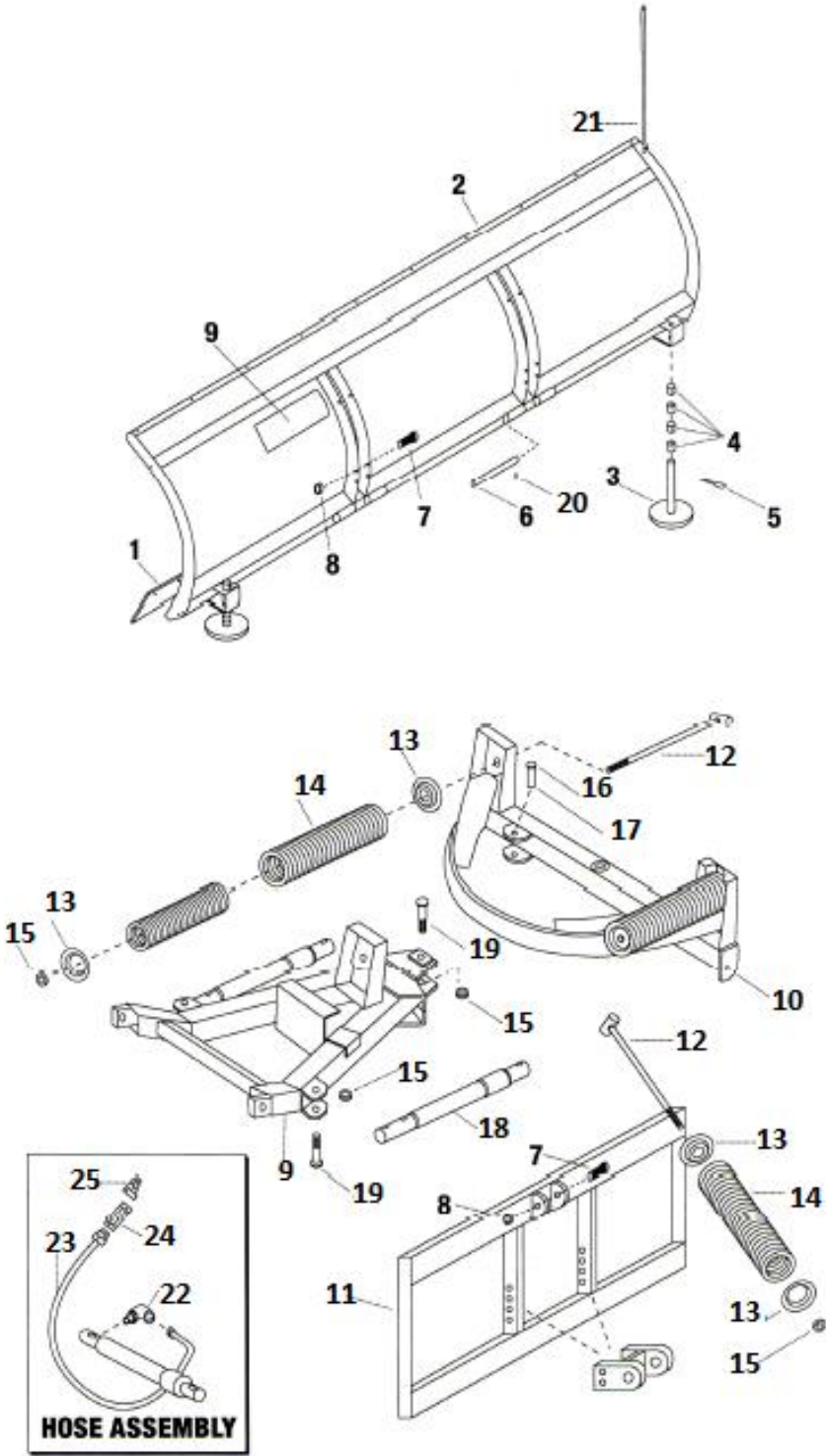


ProPlow

Parts Identification



Detailed Parts Diagram



Detailed Parts List

Table 1 – Parts List

Item#	Part#	Description
1	P20000	Cutting Edge, 8' with hardware
1	P20001	Cutting Edge, 7' with hardware
1	P20002	Cutting Edge, 6' with hardware
1	P20003	Cutting Edge, 5' with hardware
2	P20004	Moldboard Weldment, 8'
2	P20005	Moldboard Weldment, 7'
2	P20006	Moldboard Weldment, 6'
2	P20007	Moldboard Weldment, 5'
3	P20008	Wear Shoe Weldment
3	P20008-S	Wear Shoe Set, L & R, with Hardware
4	P20009	Spacer Kit for 20008
5	P20012	Klik Pin 20008
6	P20013	8" Hinge Pin
7	P20015	Cap Screw, 5/8 – 11 x 3 ½
8	P20016	Locknut, 5/8 – 11
9	P20020	T-Frame Weldment
10	P20021	Quadrant Weldment
11	P20022	Universal Skid Steer Mount
12	P20024	Spring Rod Weldment
13	P20025	Spring Cup Retainer
14	P20026	Compression Spring
15	P20028	Locknut, ¾ - 10
16	P20029	Pin, ¾ x 3
17	P20030	Cotter Pin, 5/32 x 1¼
18	P20031	Angle Cylinder, Chrome rod
19	P20032	Hex Bolt, ¾ - 10 x 4 ½
20	P40007	Cotter Pin, 3/16 x 3
NS	P40010B	Trip Spring, 6'-10' New Style Ultra (15" long)
21	P50001	Blade Marker Guide Set
22	P50007	90° Restricted Angle Fitting
23	P50008	Hose Assembly, 78" long
24	P50009-A	Adapter, #8 MJIC x #12 MORB, Hose to Coupler
25	P50010	ISO Flat Face Coupler Set