



# AlphaPlow

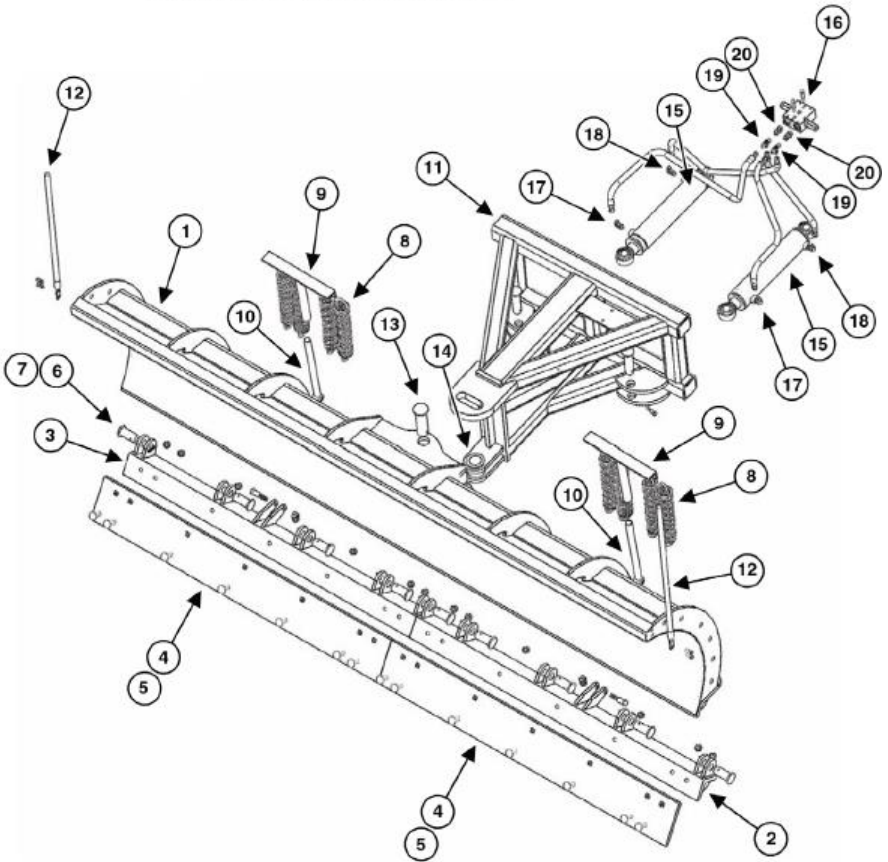
Parts Identification



# Detailed Parts Diagram

## SnowWolf AlphaPlow Snow Blade 10' and 12' – Parts Diagram

Alpha Series Snow Blade 10' Shown



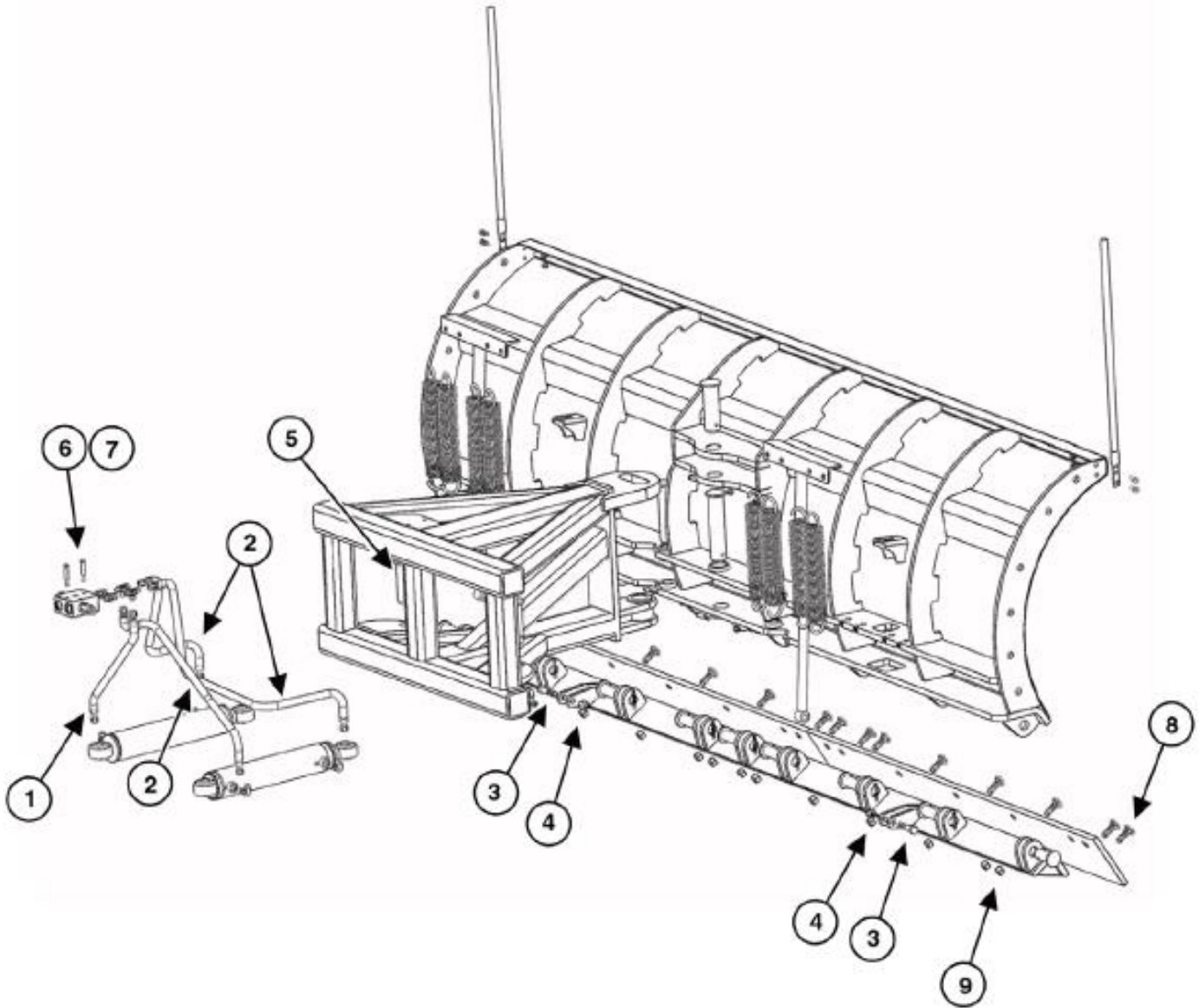
## Parts Identification (Continued)

### SnowWolf AlphaPlow Snow Blade 10' and 12' (Continued)

Item #	Part #	Description	Alpha 10' QTY.	Alpha 12' QTY.
1	P70001-A	Moldboard Weldment, 10'	1	1
	P70001-B	Moldboard Weldment, 12'	1	1
2	P70002A-L	Trip-Edge Weldment, left side, for Alpha-10.0	1	1
	P70002B-L	Trip-Edge Weldment, left side, for Alpha-12.0	1	1
3	P70002A-R	Trip-Edge Weldment, right side, for Alpha-10.0	1	1
	P70002B-R	Trip-Edge Weldment, right side, for Alpha-12.0	1	1
4	P80011-A	10' Cutting Edge Kit with hardware	1	1
	P80011-B	12' Cutting Edge Kit with hardware	1	1
5	P80012-A	10' Polymer Cutting Edge Kit with hardware	1	1
	P80012-B	12' Polymer Cutting Edge Kit with hardware	1	1
6	P40006	Trip Edge Pin	9	10
7	P40007	Cotter Pin, 1/4 X 2	9	10
8	40010-B	Trip Spring, 6'-10' New Style Ultra (15" long)	8	8
9	P70003-1	Spring T-Bar Assembly - New Style	2	2
NS	P70003	Spring T-Bar Assembly	2	2
10	P70004-1	Spring Adjuster Assembly - New Style	2	2
NS	P70004	Spring Adjuster Assembly	2	2
11	P70000	Attaching Frame, no mounting	1	1
12	P50001	Blade Marker Guide Kit	2	2
13	P80002	Upper Pivot Pin	1	1
14	P80003	Lower Pivot Pin	1	1
15	P80006	Angle Cylinder, Nitro Steel, 2-1/2" bore, single acting (one hose)	2	2
	P80006-1	Angle Cylinder, Nitro Steel, 3" bore, double acting (two hose)	2	2
16	P60002	Crossover Relief Valve	1	1
17	P50007	90° Restricted Angle Fitting	2	2
18	P60085	90° Fitting	2	2
19	P81002	Run T Fitting #6 JIC	2	2
20	P50009-B	Adapter Fitting	2	2

**Parts Identification (Continued)**  
SnowWolf AlphaPlow Snow Blade 10' and 12' (Continued)

Alpha Series Snow Blade 10' Shown



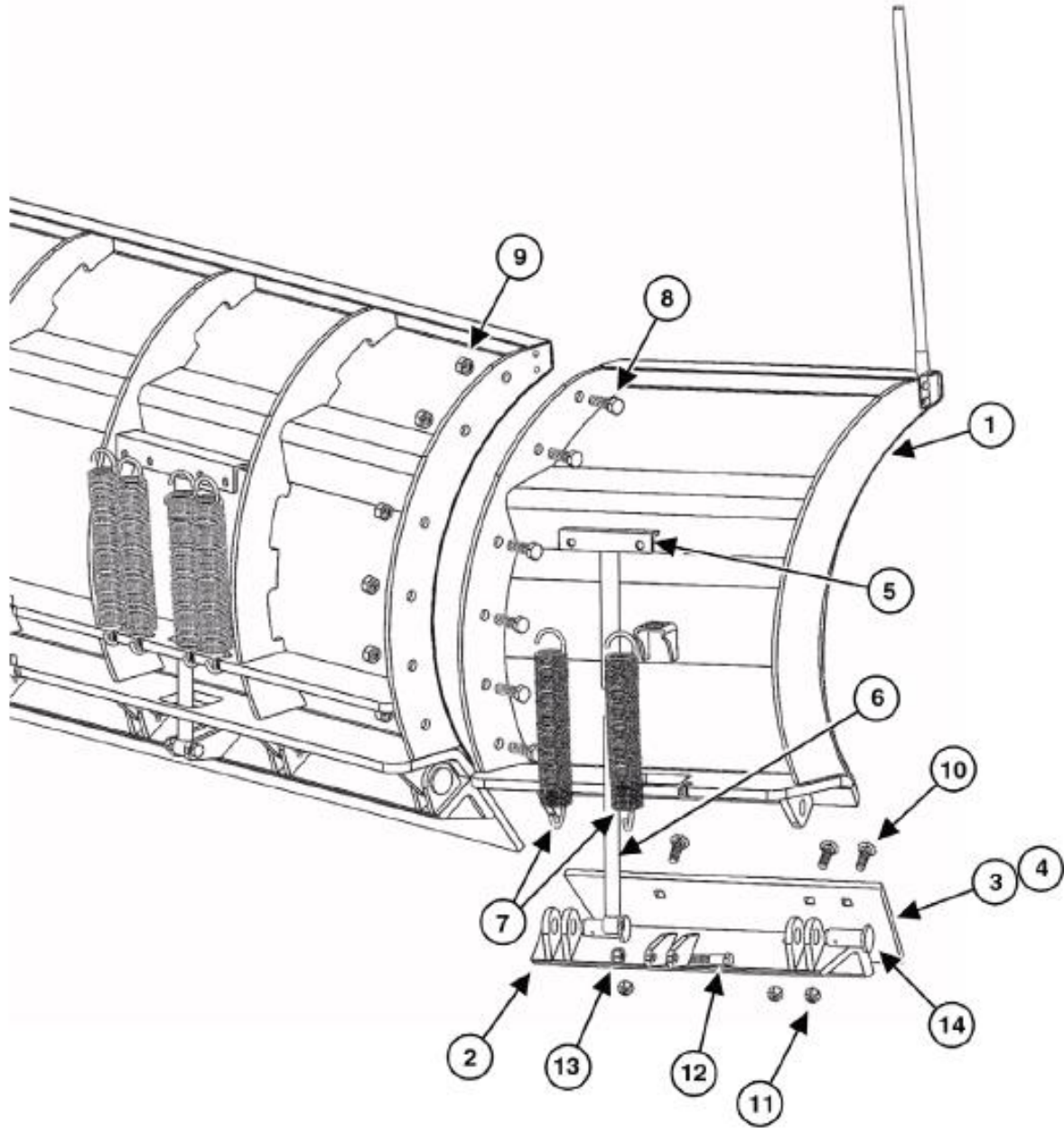
## Parts Identification (Continued)

### SnowWolf AlphaPlow Snow Blade 10' and 12' (Continued)

Item #	Part #	Description	Alpha 10' QTY.	Alpha 12' QTY.
1	P80008	Hose Assembly, 24"	1	1
2	P80009	Hose Assembly, 36"	3	3
3	P70005	Hex Bolt, 3/4" x 3"	2	2
4	P70006	Locking Nut, 3/4" - 11	2	2
5	P80004	Ram Anchor Pin, blade or frame end	4	4
6	P80042	Hex Bolt, 3/8 x 4-1/2"	2	2
7	P80043	Hex Nut, 3/8	2	2
8	P80017	Cutting Edge Bolt	14-16	14-16
9	P80018	Cutting Edge Nut	14-16	14-16
NS	P20017	Decal, SnowWolf Blade Front		
NS	P20018	Decal, SnowWolf Model Number, Specify Model Number		
NS	P20019	Decal, "DANGER PINCH AREA"		
NS	P81001	Cylinder Seal Kit, Single Acting Cylinder only		
NS	P80010	Cylinder Hose Kit with Fittings (Required for Upgrading P80006 to P80006-1)		

# Detailed Parts Diagram

AlphaPlow Wing Option – Parts Diagram



## Detailed Parts Diagram

### AlphaPlow Wing Option – Parts Diagram(Continued)

Item #	Part #	Description	QTY.
1	P80013R-1	Alpha WolfWing Side Wing Weldment, Right, Trip Edge	1
NS	P80013L-1	Alpha WolfWing Side Wing Weldment, Left, Trip Edge	1
2	P80019-R	WolfWing Trip-Edge Weldment, Right Side	1
NS	P80019-L	WolfWing Trip-Edge Weldment, Left Side	1
3	P80016-K	Steel Cutting Edge Kit, L & R with Hardware	1
	P70002B-R	Steel Cutting Edge, Left or Right	
4	P80014-K	Urethane Cutting Edge Kit, L & R with Hardware	1
	P80014-R	Urethane Cutting Edge, Right	
	P80014-L	Urethane Cutting Edge, Left	
5	P80020	Spring T-Bar Assembly, Alpha T/E WolfWing	2
6	P70004-1	Spring Adjuster Assembly - New Style	2
	P70004	Spring Adjuster Assembly	2
7	P40010B	Trip Spring, 6'-10' New Style Ultra (15" long)	4
8	P80039	Hex Bolt, 3/4 x 2-1/2	12
9	P80040	Hex Nut, 3/4, GRADE C	12
10	P80017	Cutting Edge Bolt	6
11	P80018	Cutting Edge Nut	6
12	P70005	Hex Bolt, 3/4" x 3"	2
13	P70006	Locking Nut, 3/4" – 11	2
14	P40006	Trip Edge Pin	4